

FV UKG Valve

The Fabricast UKG is a high performance knife gate valve utilizing a three-piece UHMW (Ultra High Molecular Weight) polymer lining. The body of the UKG is available in carbon steel or stainless steel, and is designed and fabricated to meet standard ASME B16.5 and MSS SP-81 class 150 (model FV-150) and class 300 (model FV-300) specifications. Other pressures and configurations can be designed and fabricated according to your needs.

The three-piece liner system provides a bi-directional, drip-tight seal across the gate to it's specified pressure rating. The UHMW polymer is rated to 180° and Teflon is available rated to 400°. The liner pieces are specially designed and cut to fit, then bonded with silicone to insure the right seal. This liner prevents in-line material from coming in contact with the valve body. Other materials are also available, please contact Fabricast Valve for details.

The stainless steel gate resists corrosion and is rated to withstand the specified pressure with minimum deflection. It features precision machined surfaces for smooth actuation and long packing life. The gate is securely contained and protected by the liner so there is no damage from galling.

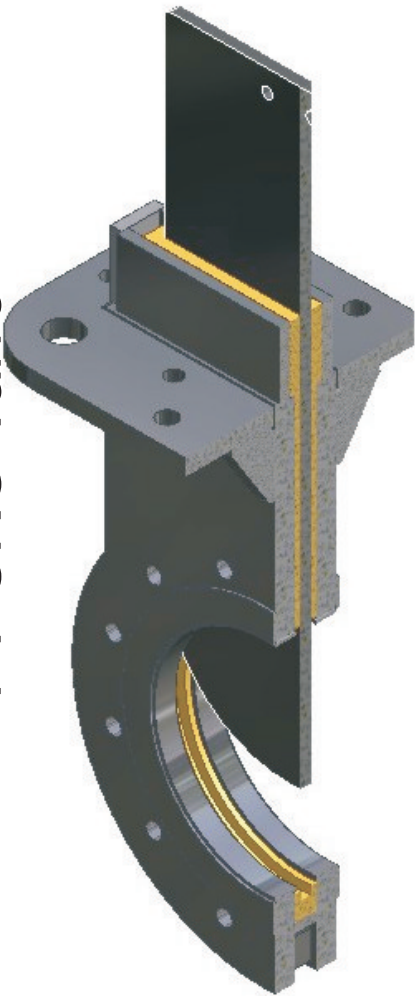
* The stainless steel stem resists corrosion, and is accompanied by a stainless steel stem nut retainer that protects the stem bushing from harsh environments, and reduces operating torque.

Our Teflon Synthetic Packing is rated standard with a wide Ph range of 3-11, and a temperature rating of up to 500° F.

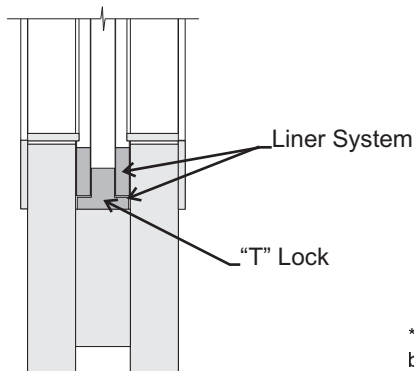
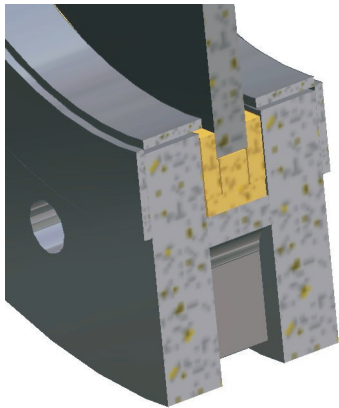
Converting from the handwheel operator to cylinder, bevel gear, or electric motor is easy and requires no additional welding.

This valve is available in bonneted and non-bonneted styles.

FV UKG Valve



Fabricast Valve



Fabricast Valve Company

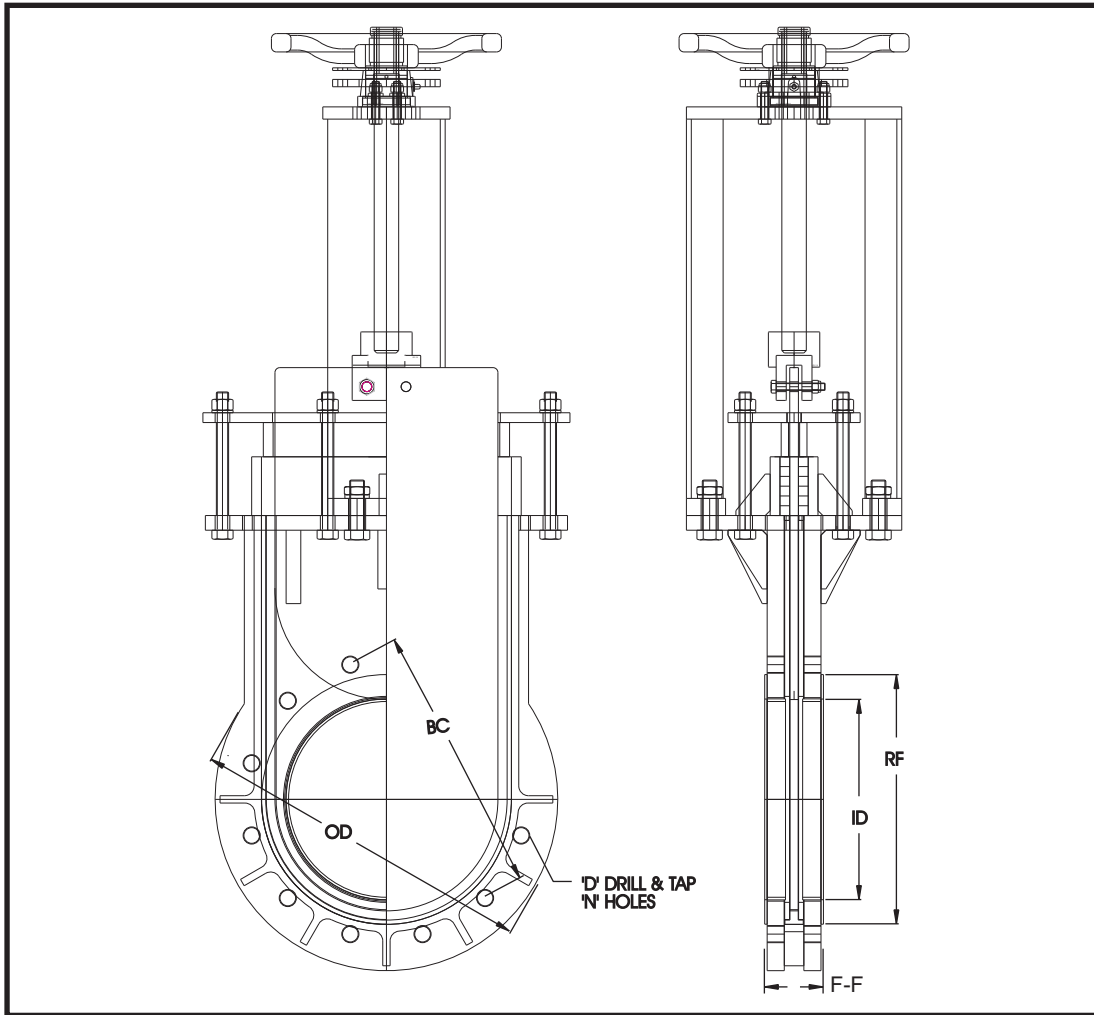
2205 Parrott Way
Kelso, WA 98626
toll free 1-877-264-2503
phone (360) 425-0306
fax (360) 425-0353
Website: www.knifegates.com

* Available with models that require a threaded stem and stem nut. I.E. Handwheel and bevel gear operated models.



Fabricast Valve Company
 2205 Parrott Way
 Kelso, WA 98626
 toll free 1-877-264-2503
 phone (360) 425-0306
 fax (360) 425-0353
 Website: www.knifegates.com

FV 150-UKG



Class 150 Valve Flange Dimensions per ASME B16.5

Valve Size NPS	Flanges						F-F Face-to-Face
	OD Outside Diameter	RF Raised Face Outside Diameter	BC Bolt Circle Diameter	ID Inside Diameter	Bolting		
					Tap Size UNC	Quantity	
2	6.00	3.625	4.75	2.00	5/8-11	4	2.00
3	7.50	5.00	6.00	3.00	5/8-11	4	2.00
4	9.00	6.188	7.50	4.00	5/8-11	8	2.00
**5	10.00	7.00	8.50	5.00	3/4-10	8	2.25
6	11.00	8.50	9.50	6.00	3/4-10	8	2.25
8	13.50	10.625	11.75	8.00	3/4-10	8	2.75
10	*16.50	12.75	14.25	10.00	7/8-9	12	2.75
12	*19.50	15.00	17.00	12.00	7/8-9	12	3.00
14	*21.50	16.25	18.75	14.00	1-8	12	3.00
16	*24.00	18.50	21.25	16.00	1-8	16	3.50
18	*25.50	21.00	22.75	18.00	1-1/8-7	16	3.50
20	*28.00	23.00	25.00	20.00	1-1/8-7	20	4.50
24	*32.50	27.25	29.50	24.00	1-1/4-7	20	4.50

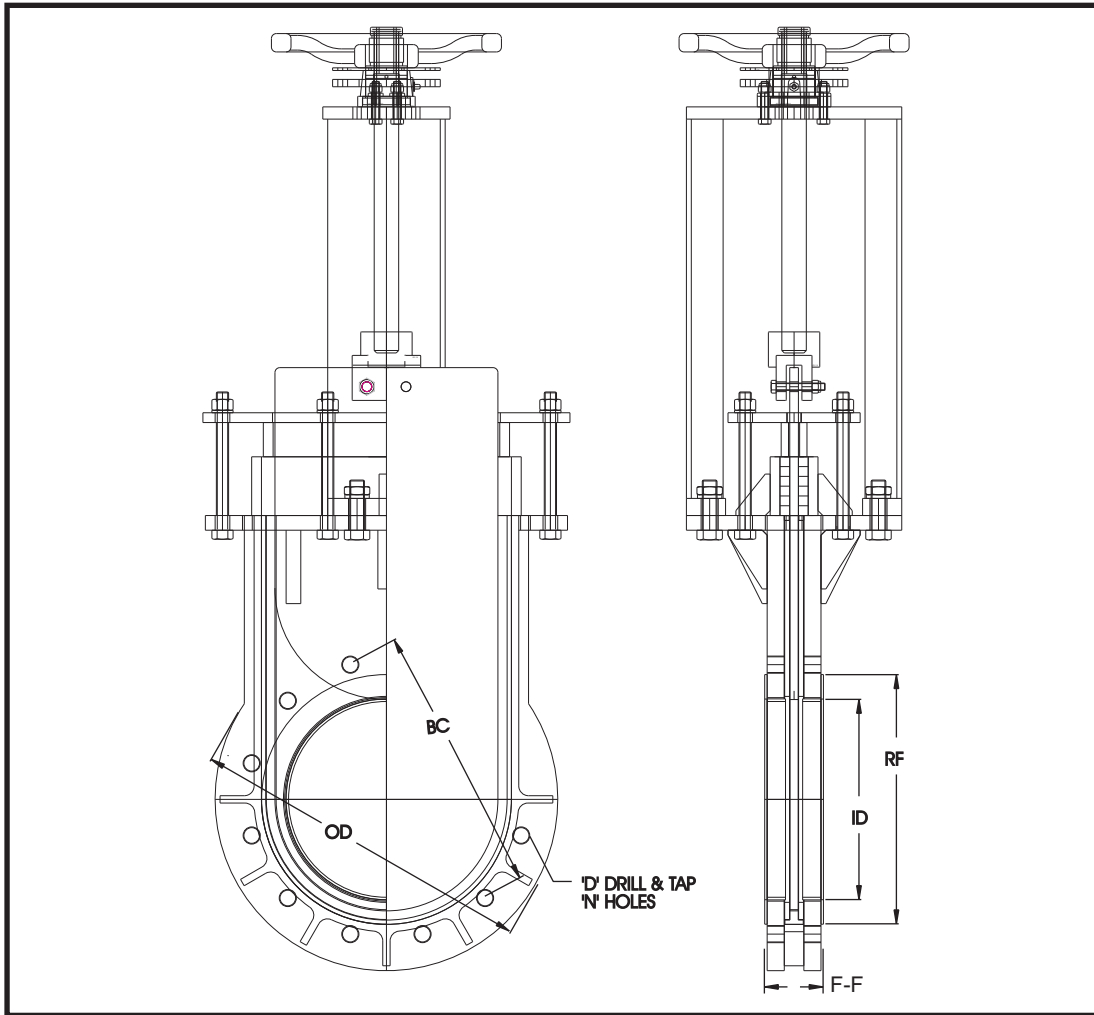
* Includes an additional 1/2" for external body wrap.

** Based on industry standard, no ASME specification.



Fabricast Valve Company
 2205 Parrott Way
 Kelso, WA 98626
 toll free 1-877-264-2503
 phone (360) 425-0306
 fax (360) 425-0353
 Website: www.knifegates.com

FV 300-UKG



Class 300 Valve Flange Dimensions per ASME B16.5

Valve Size NPS	Flanges						F-F Face-to-Face
	OD Outside Diameter	RF Raised Face Outside Diameter	BC Bolt Circle Diameter	ID Inside Diameter	Bolting		
					Tap Size UNC	Quantity	
2	6.50	3.625	5.00	2.00	5/8-11	8	2.25
3	8.25	5.00	6.625	3.00	3/4-10	8	2.25
4	10.00	6.188	7.875	4.00	3/4-10	8	2.25
**5	11.00	7.00	9.25	5.00	3/4-10	8	2.25
6	12.50	8.50	10.625	6.00	3/4-10	12	2.50
8	15.00	10.625	13.00	8.00	7/8-9	12	3.00
10	*18.00	12.75	15.25	10.00	1-8	16	3.00
12	*21.00	15.00	17.75	12.00	1 1/8-7	16	3.25
14	*23.50	16.25	20.25	14.00	1 1/8-7	20	3.50
16	*26.00	18.50	22.50	16.00	1 1/4-7	20	3.75
18	*28.50	21.00	24.75	18.00	1 1/4-7	24	4.00
20	*31.00	23.00	27.00	20.00	1 1/4-7	24	5.25
24	*36.50	27.25	32.00	24.00	1 1/2-6	24	5.50

* Includes an additional 1/2" for external body wrap.

** Based on industry standard, no ASME specification.